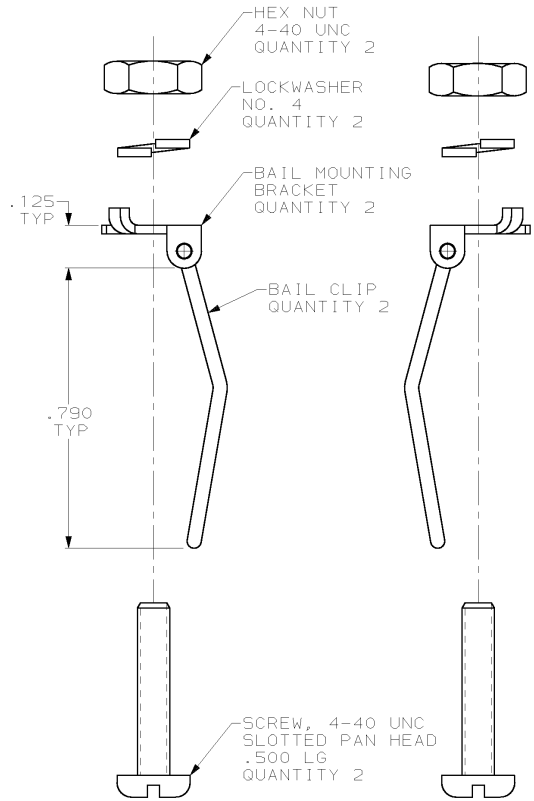
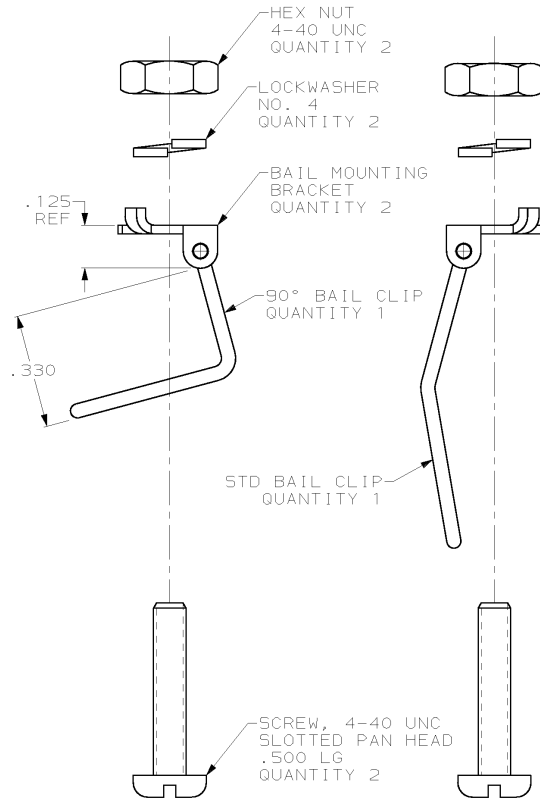


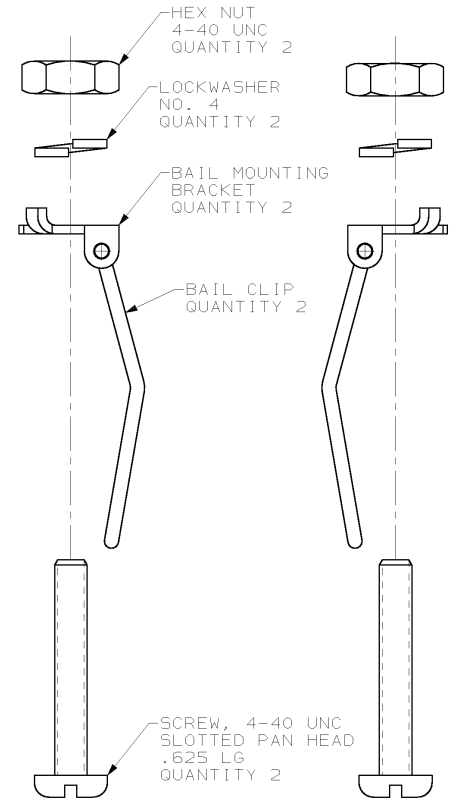
LOC	DIST	REVISIONS			
P	LTR	DESCRIPTION	DATE	OWN	APVD
AA	20	D	REVISED PER EC 0515-0213-03	26AUG03	DD RM



PN 552567-1



PN 552567-2



PN 552567-3

.625	-	2	552567-3
.500	1	1	552567-2
.500	-	2	552567-1
SCREW LENGTH	90° BAIL CLIP	STD BAIL CLIP	PART NUMBER

1. MATERIAL: BAIL CLIP - STAINLESS STEEL, PASSIVATED; ALL OTHERS PARTS ZINC OR CADMIUM PLATED STEEL.
2. PARTS SHIPPED LOOSE PIECE IN A BAG OR CONTAINER.

THIS DRAWING IS A CONTROLLED DOCUMENT.		DSN: DL DRUMMOND 26AUG2003 CDR: RP McCRAW 26AUG2003 AFVD: RP McCRAW 26AUG2003	AMP TYCO Electronics Harrisburg, PA 17105-3608
DIMENSIONS: INCHES TOLERANCES UNLESS OTHERWISE SPECIFIED: 0 PLC ±.0005 1 PLC ±.0005 2 PLC ±.0005 3 PLC ±.0005 4 PLC ±.0005 ANGLES ±.0005	PRODUCT SPEC: - APPLICATION SPEC: - WEIGHT: -	HARDWARE KIT, BAIL LOCK, PANEL MOUNTING, CHAMP SIZE: A2 CASE CODE (DRAWING NO): 00779 PART NUMBER: 552567	
MATERIAL: FINISH:		CUSTOMER DRAWING SCALE: 4:1 SHEET: 1 OF 1 REV: D	

552567